

## Standard Full Nut

**Thread Type:** UNC / BSW - Coarse

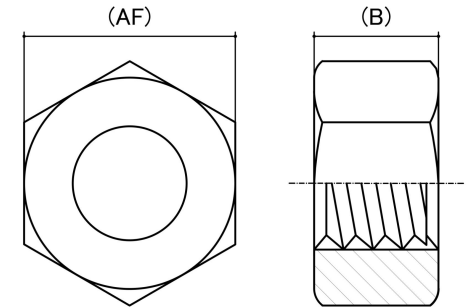
**Thread Direction:** Right Hand

**Material:** Solid Brass

**Class Grade:** Low Tensile Grade 2

**Corrosion Protection Level:** Ultimate

**Standard:** AS 2451



*CAD drawings shown for graphic representation only.\**

Size	Thread Pitch (TPI)	Thread Type	Overall Nut Height (B) (mm)		Across Flats (AF) (mm)		Spanner Size (AF) (inches)	sku (qfind)
			Min	Max	Min	Max		
1/4"	20	Coarse	4.57	5.08	11.05	11.30	7/16	41BW14
5/16"	18	Coarse	5.84	6.35	13.08	13.33	9/16	41BW516
3/8"	16	Coarse	7.42	7.93	14.86	15.24	5/8	41BW38

**Disclaimer:**

Dimensional data and technical information was obtained from publically available sources and not acquired through standard agencies. It has been completed and compiled for reference purposes only; where discrepancies are found they are subject to change without notice. Bolt & Nut Australia makes no warranties or representations regarding the accuracy and validity of the compiled information and data. Contact the relevant standard authorities for accurate and detailed information.

\* CAD drawings may not reflect diameter, thread length or overall length.

© Bolt & Nut Australia Pty Ltd. All rights reserved.

Version: 18 Mar 2024